

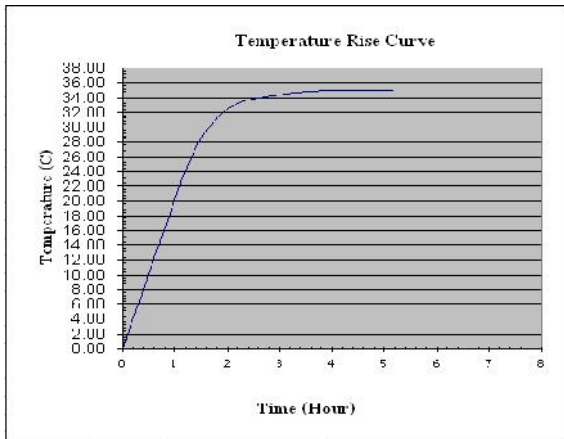
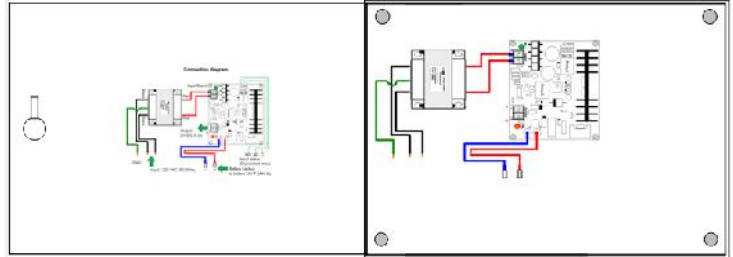
Specification : Transformer & Power Supply for Electronics Security Type.

Model :PD-05-03 *Engicon*

Introduce

Electronic security system is very important today because a system can help you in monitoring, detecting or controlling things in the area of a running system but electronic security system must work 24 hours for such purposes we much needed in the selection of high quality equipment used in the system for performance optimization.

PPCTECH Co.,Ltd. is produced about transformer, power supply, adaptor for electronic security system we specifically designed for use 24 hours we design and support power supply to a company with a leading system integration company in Thailand we supply adaptor power supply to distributors of CCTV camera brand American, Europe and Japan.



Model: PD-05-03 On 25 °C Ambient

Power Supply for Electronic Security System may be used in a different by depending on the electrical properties of equipments such as cameras which use the adaptor of AC and DC, access control use power supply /with charger because they want battery backup and supply to other equipments such as reader, magnetic lock, finger scan, fire alarm system need to power supply for difference current for difference side if you need to power supply for other equipment please contact us from telephone or E- mail as below.

Power Supply Option

- PD-05 → BPD-05 +TS26-6
- PD-XX-YYB
- YY = 01 → BPD-05 +TS26-6 + indoor box dimensions(W=22, H=28, D = 10 cm)
- YY = 02 → BPD-05 +TS26-6 + indoor box dimensions(W=22, H=28, D = 10 cm)+ Breaker10A
- YY = 03 → BPD-05 +TS26-6 + indoor box dimensions(W=32, H=44, D = 10 cm)
- YY = 04 → BPD-05 +TS26-6 + indoor box dimensions(W=32, H=44, D = 10 cm) Breaker10A
- YY = 05 → BPD-05 +TS26-6 + Outdoor box dimensions(W=25, H=35, D = 15 cm)
- YY = 06 → BPD-05 +TS26-6 + Outdoor box dimensions(W=25, H=35, D = 15 cm) Breaker10A
- B → Include battery 12V7.5AHX2 Unit

Design Principles

Electronic security system that demands high stability, equipment used in the system must have high quality and good compatibility if some equipments do not have the quality it's effect to the system was not stable.

Many system integrators may see transformer, adaptor power supply is less important in the system but actually, these equipments are also important as well. Because if they do not have quality equipment will make no quality system although the use of other equipments high quality.

PPCTECH Co., Ltd.'s products quality and specializes for transformers and power supply to use for the actual environment we select quality electronic part to products adaptor power supply and design for low magnetic flux density transformer to reduce residual magnetism so transformer is less heat and long life more than transformer in general.

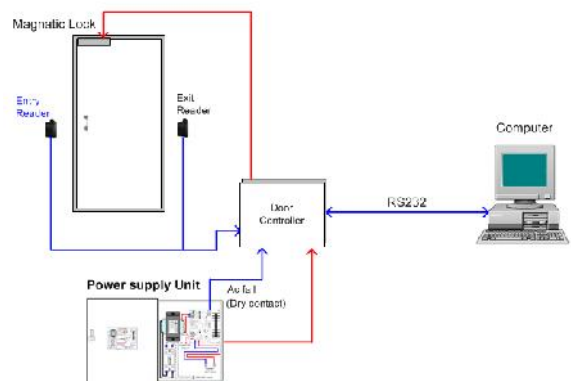
Transformer Design Equation

$$N_p = \frac{V_{in}}{4.44 f B A}$$

$$N_s = \frac{V_{out}}{4.44 f B A}$$

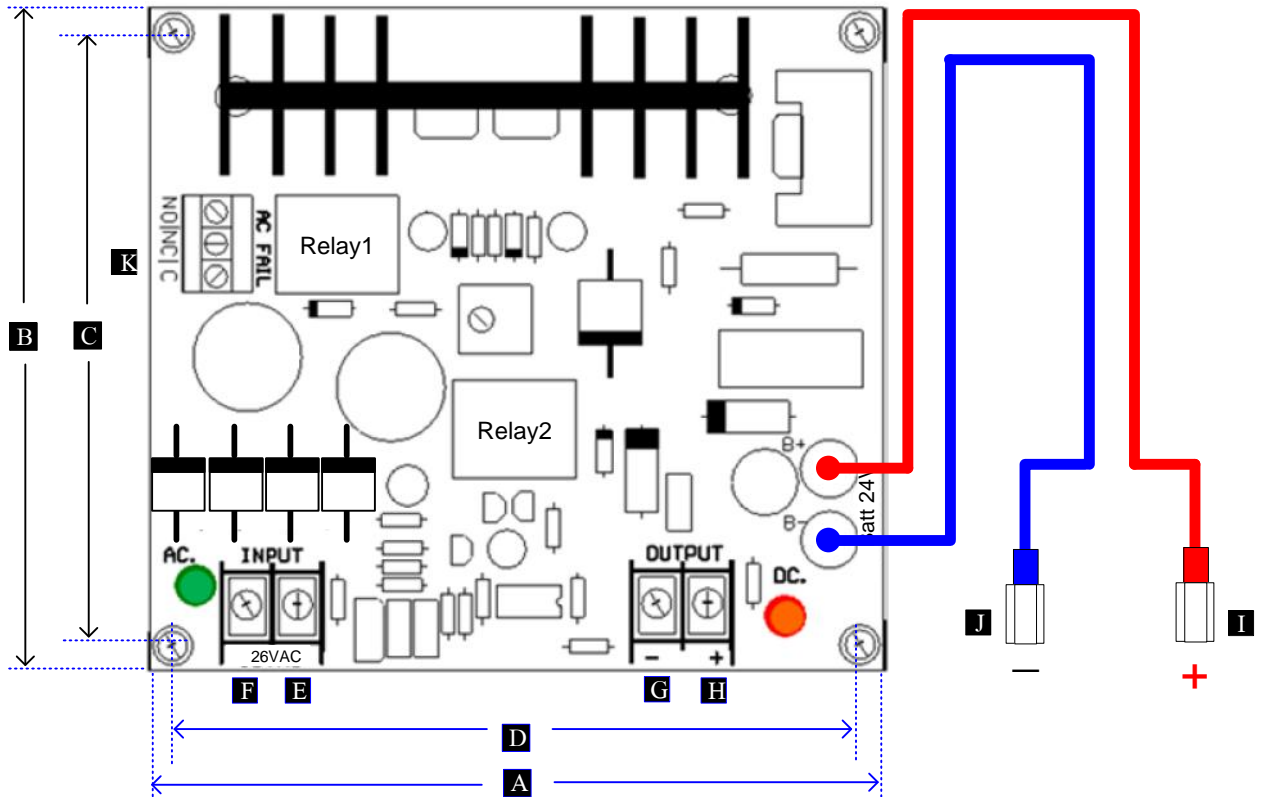
Np: Primary Turn Turn.
 Ns: Secondary Turn Turn.
 f: Line Frequency Hz.
 Vin: AC. Input Voltage Volt.
 Vout: AC. Output Voltage Volt.
 B: Flux Density Wb/mm.²
 A: Cross Section Areas m.²

Transformer design will set B: Flux density low or set turn of transformer more than general transformer for reduce residual magnetism of transformer so transformer is less heat than transformer in general.



Access control system diagram

Specification : AC to DC power supply Electronic Security Type.

Model : BPD-05


Character	Description	Unit mm/Inch
A	Length of Power Supply/Charger Board	115/4.53
B	Width of Power Supply/Charger Board	105/4.13
C	Holes for Holing Dimension	95/3.74
D	Holes for Holing Dimension 2	107/4.21
F E	Input 26 Vac./6A from TS26-6,0	
G	Output : - 0 VDC	
H	Output : +24 VDC. Current 5A	
I	Battery Charge 800mA to Battery+ (24 V)	300/11.8
J	Battery Charge 800mA to Battery - (0V)	300/11.8
K	AC Fail Supervision Terminal (NO-NC-C)	

LED Indicators

Red(DC)	Green(AC)	Power Supply Status
ON	ON	Normal Operating Condition.
ON	OFF	Lost of AC, Battery is Supplying Power.
OFF	ON	Power Supply Fail ,No DC. Output
OFF	OFF	No DC. Output, Lost of AC., Discharged or No Battery Present

Product Specifications

Input Voltage :	26 Vac.,6A, 50-60 Hz.
Output Voltage :	24 Vdc.
Output Current :	5.0 A. (3.5A continuous)
Output Power (VA) :	120 VA.
Protection :	- Thermal Over Load ,Output Short Circuit Protection. - Battery fuse 8 A to battery over load. - Battery Discharged Protection (cut out battery from load in voltage less than 20 V.)
Temperature Rise :	41 °C.
Steady State Times :	278 mS.
Power Status Show:	LED indicators for AC input and DC Output
Supervision:	AC Fail Supervision (from C Contacts)
Dimensions :	115 mm/4.53" X 105 mm/4.13" X 50 mm/2.0".
Weight :	0.35 kg.
Ambient Operating Temp. :	0-55 °C.
Input Connection :	Terminal
Output Connection :	Terminal
Battery Charger :	Charging 800 mA Maximum/ Discharge 5 A Max

- Power consumption must not exceed 84 watts when used at all times (24 Hr).
- Battery under voltage discharge protection by cutout battery from output in voltage less than 20V
- Product design for Access control system

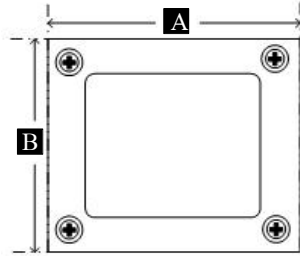
Customer Confirmed

Company logo Sealed	Approved by :
	Position :

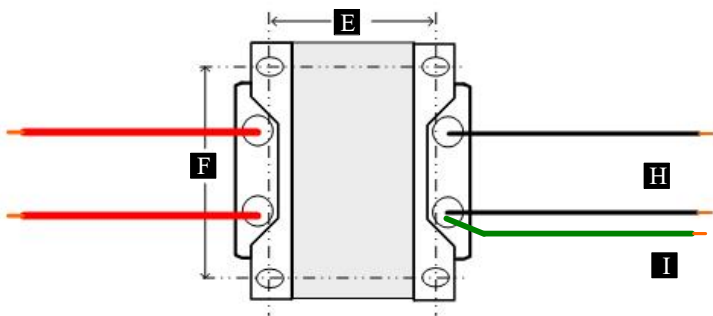
Specification : Transformer for Electronic Security Type.

Model : TS26-6

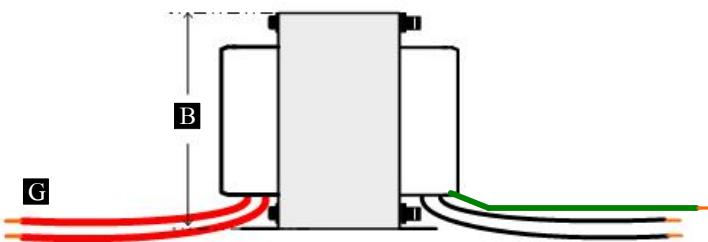
Front & Rear View



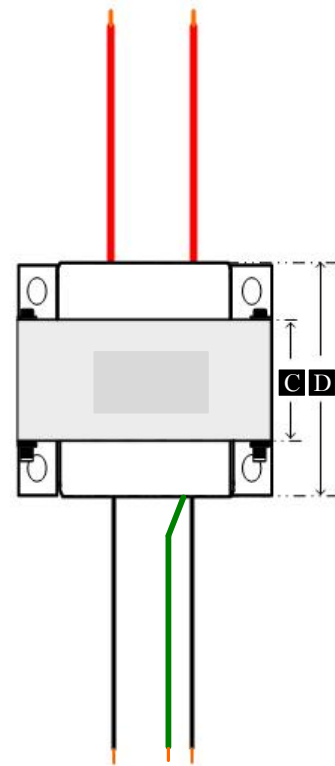
Bottom View



Side View



Top View



Character	Description	Unit mm/inch
A	Transformer Dimension	96 /3.79
B	Transformer Dimension	81/3.19
C	Transformer Dimension	50/1.97
D	Transformer Dimension	96 /3.79
E	Transformer Holes for Hold	67/2.64
F	Transformer Holes for Hold	83/3.27
G	Output Connection 26 VAC 50-60 Hz. 6A.	300/11.81 Length
H	Input Connection 220 VAC 50-60 Hz.	
I	Electro Static Shield	

Product Specifications

Input Voltage :	220 Vac., 800 mA, 50-60 Hz.
Output Voltage :	26 Vac.
Output Current :	6.0 A. (5.0 A continuous)
Output Power (VA) :	156 VA.
Flux density :	0.94 Wb/m ²
Temperature Rise :	40 °C.
Steady State Times :	13.86 mS.
Dimensions :	96 mm/3.79" X 96 mm/3.79" X 81 mm/3.19"
Weight :	3.0 kg.
Ambient Operating Temp. :	0-55 °C.
Input Connection :	Black color lead wire
Output Connection :	Red color lead wire
E.S. Connection :	Green color lead wire

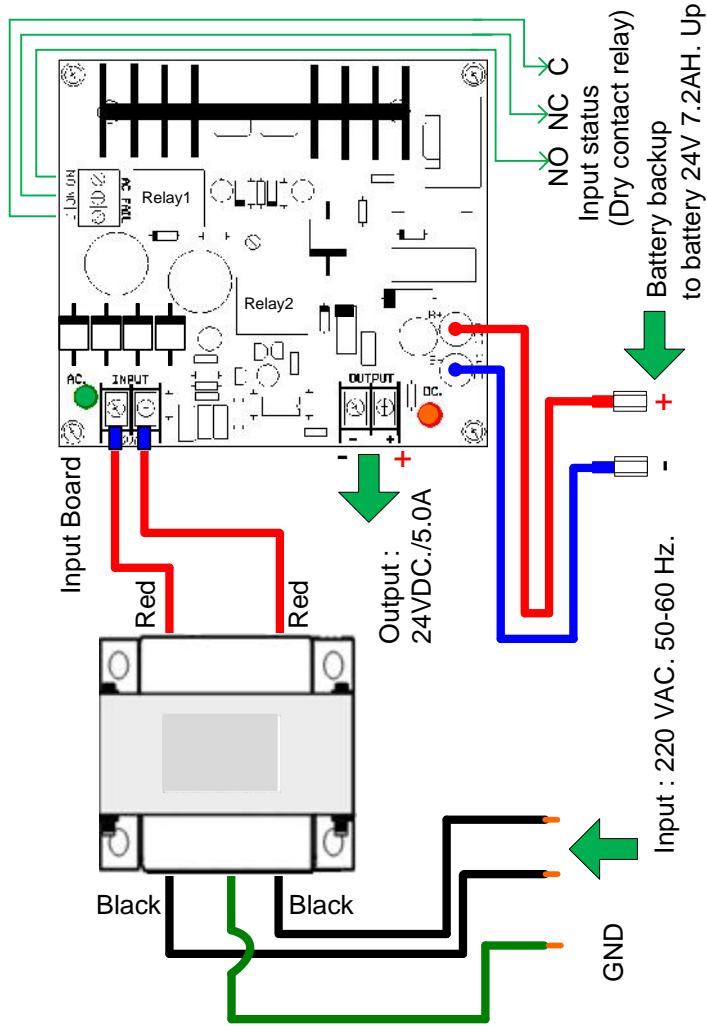
* Transformer for Input Power supply for Access control

Model : BPD-05

Customer Confirmed

Company logo Sealed	Approved by :
	Position :

Connection diagram



Customer Confirm

Company logo Sealed

Approved by :

Position :



48/238 Moo 4, Peichkasem Rd., Omyai, Sampran District, Nakhon Pathom, Thailand 73160

PROJECT NAME: Special Product for Access Control

DRAWN BY : Mr. Toedsak Thoithong

PRODUCT ID: PD-05

CHECKED BY :

PRODUCT DSC: Power Supply for Access control

APPROVED BY : Mr. Teeparak Puttarak

DRAWING TITLE : Connection Diagram

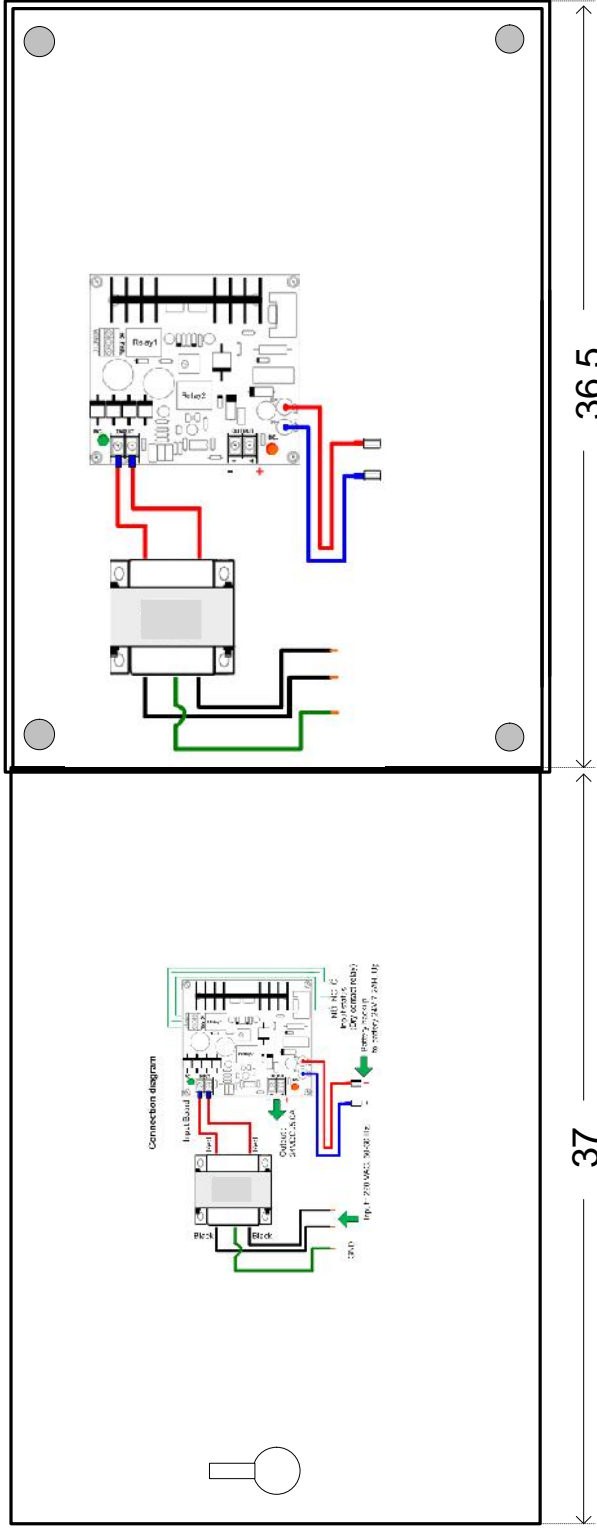
DRAWING NO.01

SCALE : None

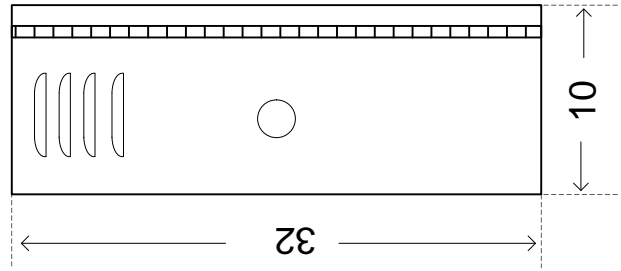
DATE : 20/10/58

DRW :

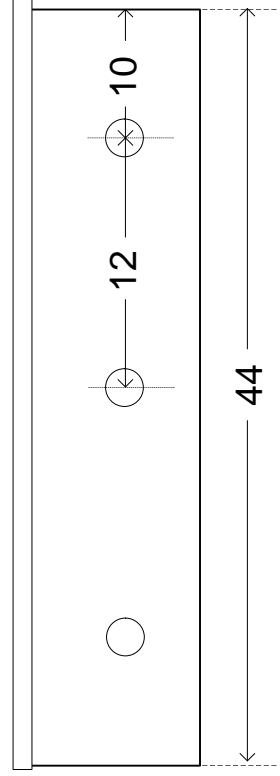
Top view (Open box)



SIDE 1



Front & Rear



Unit :Cm

Customer Confirmed

Company logo	Sealed
Approved by :	
Position :	

	PROJECT NAME: PD-03 in Box02 ;W=440,L=320,H=100 (mm) DRAW BY: Mr.Toedsak Thoithong		
	PRODUCT ID: PD-05-03 CHECKED BY:		
	PRODUCT DSC:		
	DRAWING TITLE: Dimensions APPROVED BY:		
DRAWING NO.01	SCALE: None	DATE: 13-8-10	DRW:

48/238 Moo 4, Petchkasem Rd., Omyai, Sampran District, Nakhon Pathom, Thailand 73160